

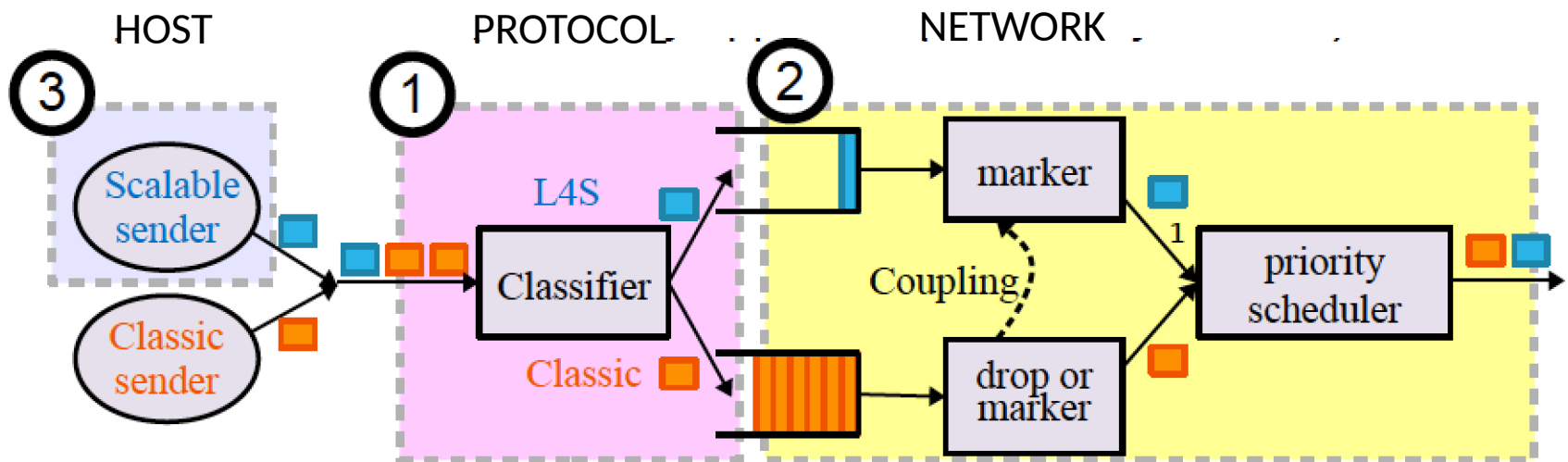
L4S Deliverables

L4S BOF

IETF96 – Berlin

marcelo bagnulo

L4S Components



	Title and description	Starting point	Status
0 - ARCH	L4S Architecture: Describes how all the different pieces fit together	draft-briscoe-tsvwg-aqm-tcpm-rmcat-l4s-problem	info
1 - PROTOCOL	L4S Identifier: IP level L4S identifier for AQM	draft-briscoe-tsvwg-ecn-l4s-id	exp
	Updating RFC3168 to depart from mark/drop equivalence	draft-khademi-tsvwg-ecn-response-00 ?	std
2 - NETWORK	L4S Dual queue AQM	draft-briscoe-aqm-dualq-coupled	exp
3 - HOST	Suitable ECN feedback	draft-ietf-tcpm-accurate-ecn and draft-stewart-tsvwg-sctpecn	exp
	Fall-back to classic TCP on loss	draft-ietf-tcpm-dctcp-01	info
	Fall-back to classic TCP on classic ECN bottleneck	None	exp
	Reduce RTT dependence	None	exp
	Sub-MSS congestion window	TCP-sub-mss-w draft-bagnulo-tcp-low-rtt	std/exp
	ECT marking of TCP control packets	draft-bagnulo-generalized-ecn	exp
	Faster than additive increase	None	exp
	Faster convergence to fairness	None	exp

Backup slides

	Title and description		Starting point	Status
0 - ARCH	L4S Architecture: Describes how all the different pieces fit together	HOMELESS	draft-briscoe-tsvwg-aqm-tcpm-rmcat-l4s-problem	info
1 - PROTOCOL	L4S Identifier: IP level L4S identifier for AQM	HOMELESS	draft-briscoe-tsvwg-ecn-l4s-id	exp
	Updating RFC3168 to depart from mark/drop e	ONGOING	draft-khademi-tsvwg-ecn-response-00 ?	NOT L4S EXCLUSIVE
2 - NETWORK	L4S Dual queue AQM	HOMELESS	draft-briscoe-aqm-dualq-coupled	exp
3 - HOST	Suitable ECN feedback	ONGOING	draft-ietf-tcpm-accurate-ecn draft-stewart-tsvwg-sctp	NOT L4S EXCLUSIVE
	Fall-back to classic TCP on loss	ONGOING	draft-ietf-tcpm-dctcp-01	NOT L4S EXCLUSIVE
	Fall-back to classic TCP on classic ECN bottleneck	HOMELESS	None	exp
	Reduce RTT dependence	HOMELESS	None	exp
	Sub-MSS congestion window	HOMELESS	TCP-sub-mss-w draft-bagnulo-tcp-low-rtt	NOT L4S EXCLUSIVE
	ECT marking of TCP control packets	HOMELESS	draft-bagnulo-generalized	NOT L4S EXCLUSIVE
	Faster than additive increase	HOMELESS	None	exp
	Faster convergence to fairness	HOMELESS	None	exp

Title and description	Starting point	Option 1	Option 2
L4S Architecture: Describes how all the different pieces fit together	draft-briscoe-tsvwg-aqm-tcpm-rmcat-l4s-problem	tsvwg	l4swg
L4S Identifier: IP level L4S identifier for AQM	draft-briscoe-tsvwg-ecn-l4s-id ?	tsvwg	l4swg
L4S Dual queue AQM	draft-briscoe-aqm-dualq-coupled	aqm	l4swg
Updating RFC3168 to depart from mark/drop equivalence	draft-khademi-tsvwg-ecn-response-00	tsvwg	twvwg
Suitable ECN feedback	draft-ietf-tcpm-accurate-ecn and draft-stewart-tsvwg-sctpecn	tcpm and tsvwg	tcpm and tsvwg
Fall-back to classic TCP on loss	draft-ietf-tcpm-dctcp-01	tcpm	l4swg
Fall-back to classic TCP on classic ECN bottleneck	None	tcpm	l4swg
Reduce RTT dependence	None	iccrgr/tcpm	l4swg
Sub-MSS congestion window	TCP-sub-mss-w	iccrgr/tcpm	l4swg
ECT marking of TCP control packets	draft-bagnulo-generalized-ecn	tcpm	tcpm
Faster than additive increase	None	iccrgr/tcpm	l4swg
Faster convergence to fairness	None	iccrgr/tcpm	l4wg